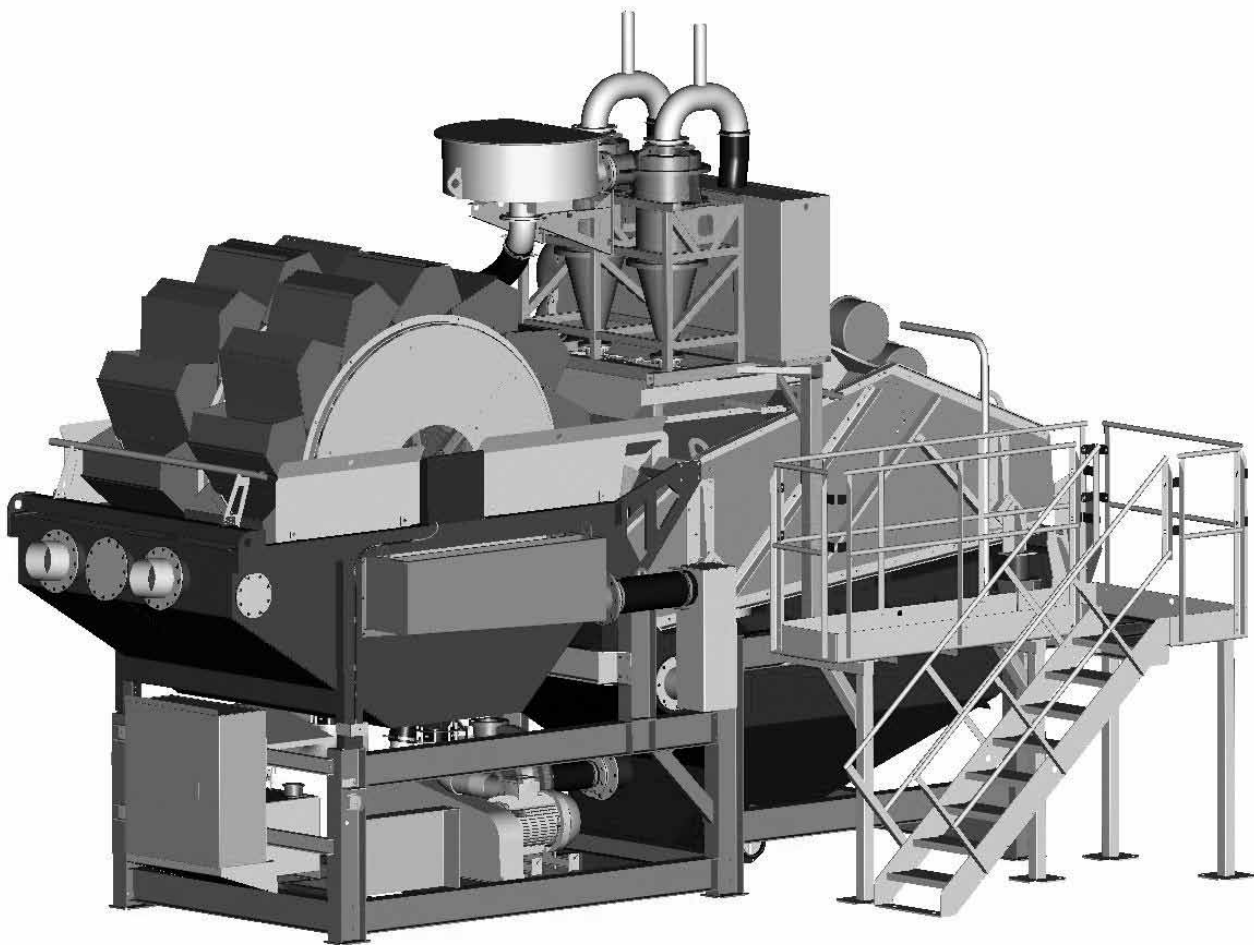


# FM 120 BW



## FEATURES

- Static sand recovery unit on one chassis
- Twin bucket wheel
- Centrifugal pump
- Twin hydrocyclones
- Collection tank
- 12 x 5 dewatering screen
- Produce one or two grades of sand
- Designed to work in conjunction with Terex Washing Systems range

## FEATURES & BENEFITS

- Underflow rubber lined slurry pump
- Double bucket wheel with variable speed control
- Two rubber lined hydrocyclone which classifies at approximately 75µm (200 mesh)
- Self regulating cyclone tank complete with built in float system and anti-turbulence sections
- High frequency 12x5 dewatering screen fitted with polyurethane modular mats
- Weir discharge system which reduces the volume of fines entering the cyclone collection tank
- Collapsible bucket wheel tank for easy transport. (Mobile version)
- Bucket wheel performs 80-90% of the work. This keeps the pump and cyclone size to a minimum
- Reduced pump and cyclone wear
- Reduced overall power requirements
- Reduced running costs
- Maximum recovery of material above 75µm (200 mesh)
- Removes silt, slimes and clays below 75µm (200 mesh)
- Removes water following dewatering operation to 10–15% of residual water content
- Major reduction in saleable material discharging to the pond, thus reducing pond maintenance and saving money
- Heavy-duty robust construction ideal for rugged operating environment
- Low maintenance
- All wear areas rubber lined
- Quick assembly time
- Approx 80-120 tph

## APPLICATIONS

- All forms of concrete, mortar and asphalt sands
- Quarry dust / crushed fines
- Lake and beach sands
- Silica sand for glass industry
- Golf course sands
- Filter bed sands
- Recycled materials
- Iron ore
- Most materials which need to be washed

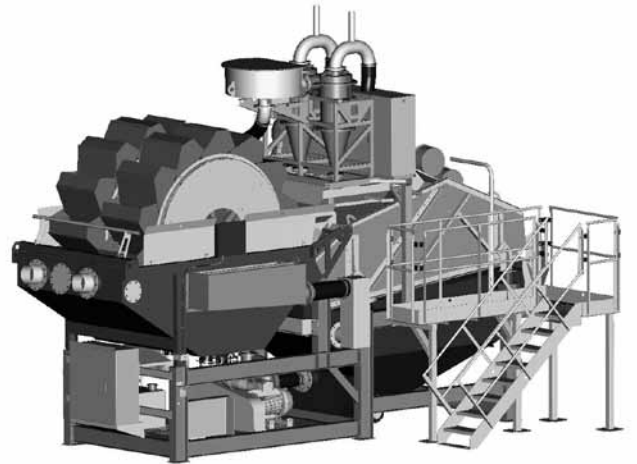
## TYPICAL WATER CONSUMPTION

- 250m<sup>3</sup>/hr

## SPECIFICATIONS

### TECHNICAL DIMENSIONS - STATIC

<b>WORKING LENGTH</b>	<b>7.80m (22'6")</b>
<b>WORKING WIDTH (INC WALKWAY)</b>	<b>4.4m (14' 4")</b>
<b>WORKING HEIGHT</b>	<b>5.35m (17' 5")</b>
<b>FEED HEIGHT</b>	<b>2.30m (7'5")</b>
<b>PRODUCT DISCHARGE</b>	<b>1.26m (4'2")</b>
<b>WASTE WATER DISCHARGE</b>	<b>0.81m (2' 9")</b>
<b>TOTAL WEIGHT (EMPTY)</b>	<b>15000kg (33000lb)</b>
<b>TOTAL WEIGHT (WORKING)</b>	<b>22800kg (50000lb)</b>



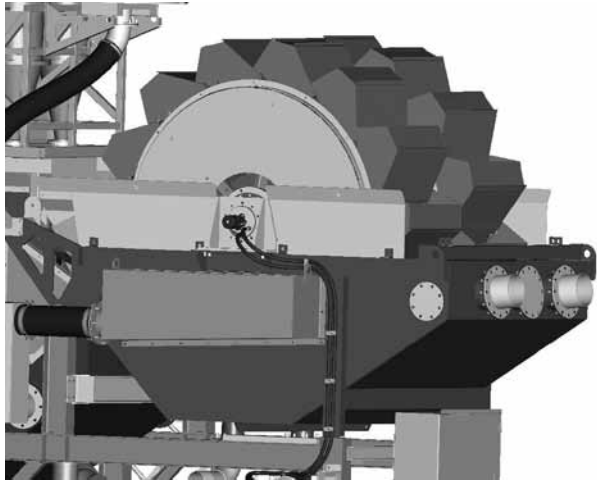
### TECHNICAL DIMENSIONS - MOBILE

<b>WORKING LENGTH</b>	<b>9.03m ( 30'5")</b>
<b>WORKING WIDTH</b>	<b>2.80m (9')</b>
<b>WORKING HEIGHT</b>	<b>4.93m ( 16'2")</b>
<b>TRANSPORT LENGTH</b>	<b>9.14m ( 29' 11")</b>
<b>TRANSPORT WIDTH</b>	<b>2.90m (9' 4")</b>
<b>TRANSPORT HEIGHT</b>	<b>4.09m ( 13' 5")</b>
<b>FEED HEIGHT</b>	<b>2.30m (7'5")</b>
<b>PRODUCT DISCHARGE</b>	<b>1.26m (4'2")</b>
<b>WASTE WATER DISCHARGE</b>	<b>1.20m (4')</b>
<b>TOTAL WEIGHT (EMPTY)</b>	<b>15000kg (33000lb)</b>
<b>TOTAL WEIGHT (WORKING)</b>	<b>22800kg (50000lb)</b>

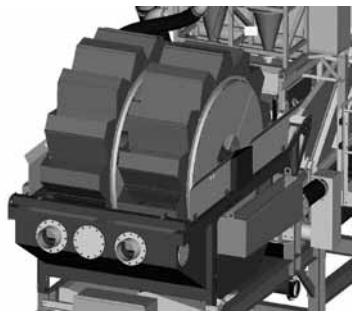


## BUCKET WHEEL

<b>BUCKETS</b>	28 off (double grade )
<b>BUCKET VOLUME</b>	0.117m <sup>3</sup> (each)
<b>DIAMETER</b>	2.6m (8ft 6ins)
<b>WIDTH</b>	750mm (30ins)
<b>BUCKET SPEED</b>	0–1.25rpm
<b>POWER PACK</b>	7.5kW (10hp)



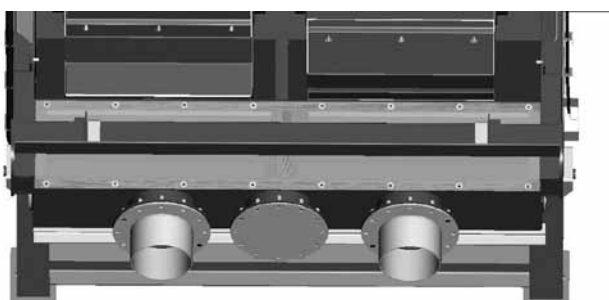
Weir discharge system



Twin buckets allows for two final products



Integrated electric powerpack for bucket wheel speed adjustment



Anti-turbulence inlets in bucket tank

## CYCLONE

Two G4 375 extended cyclones

Spigot discharge

Pump capacity 250m<sup>3</sup>

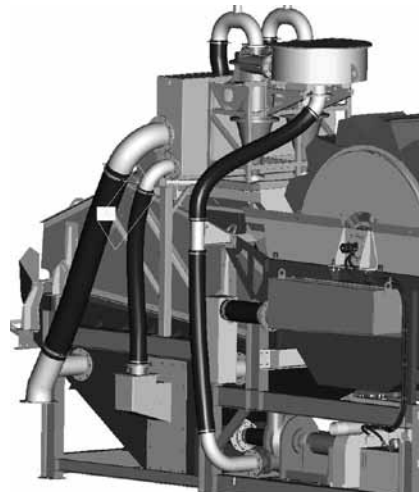
All wear areas rubber lined

Underflow collection box

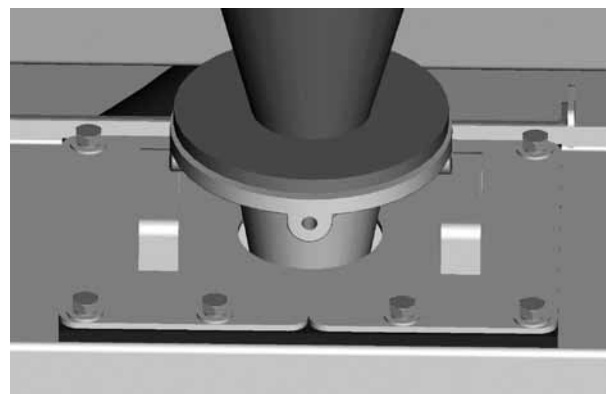
Pressure flange with pressure gauge

200mm (8") rubber lined slurry delivery hose

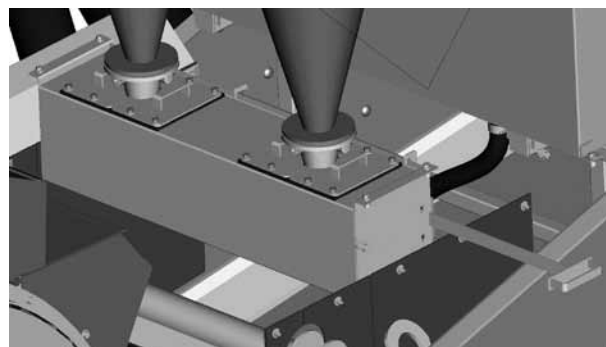
Extended hydro cyclones for maximum fines recovery



Rubber lined sealed slurry transfer pipe complete with heavy duty clamps



Rubber lined spigot



Movable chute to allocate fine material to the coarse product

## CENTRIFUGAL PUMP

Size 150/125mm (Heavy duty rubber lined)

Motor 30kW (40hp) (IE2 Motor)

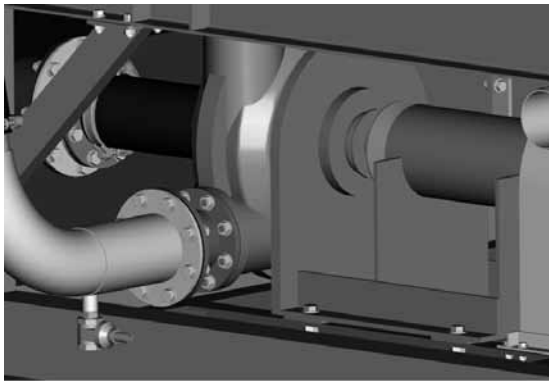
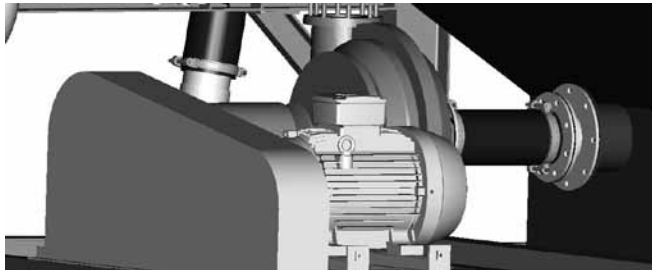
Max Working pressure 6 bar

Typical flow rate 250m<sup>3</sup> (900gpm)

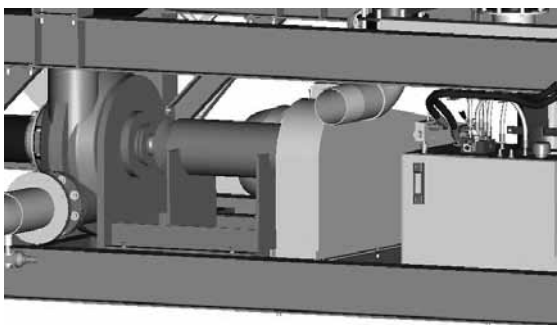
Abrasion resistant liners

Moulded rubber impeller

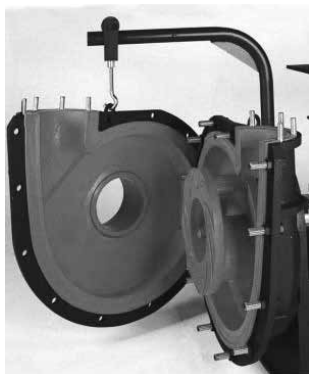
Excellent serviceability



Pump drain for cold climate applications



Easy access for ease of maintenance



Fully rubber lined for increased wear life

## DEWATERING SCREEN

Size 3.7m x 1.5m (12' x 5')

Vibratory Motors 4kW (5.5hp)(2off) 960rpm

Screen Aperture 0.5mm

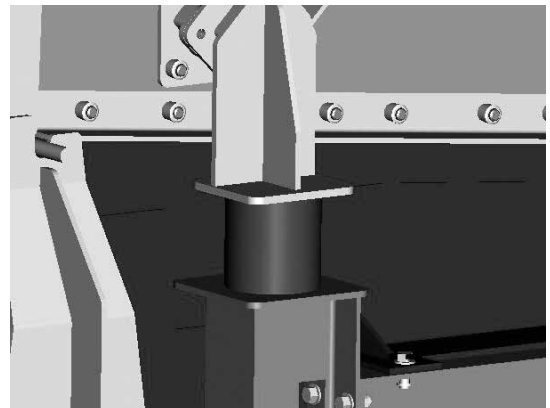
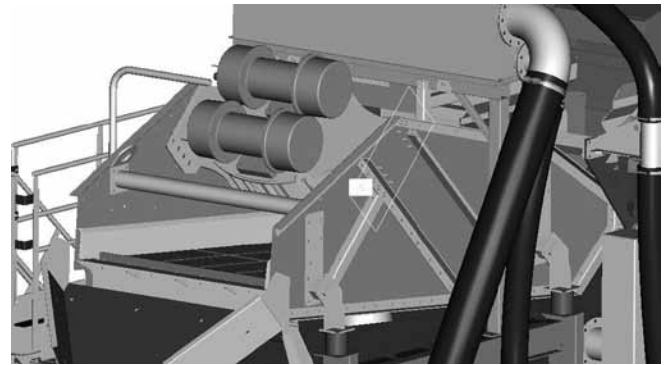
Exceptional dewatering performance

Modular screen decks

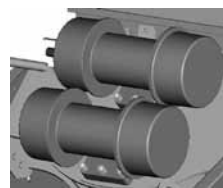
Side protection liners

Marshmallow<sup>®</sup> screen mounts for smoother running

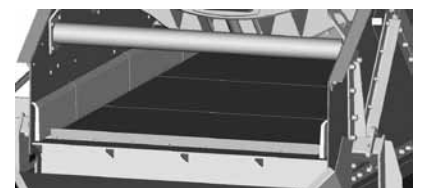
Rubber lined discharge chute



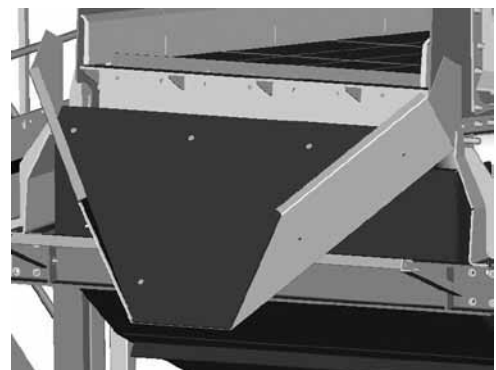
High efficiency rubber screen mount for minimal vibration



Low noise vibrating motor



0.5mm discharge panels fitted to screen



Plastic lined chute

## STATIC CHASSIS

Self regulating cyclone tank complete with built in float system

Build in anti-turbulence sections

Heavy duty steel construction

Easy access to serviceable areas

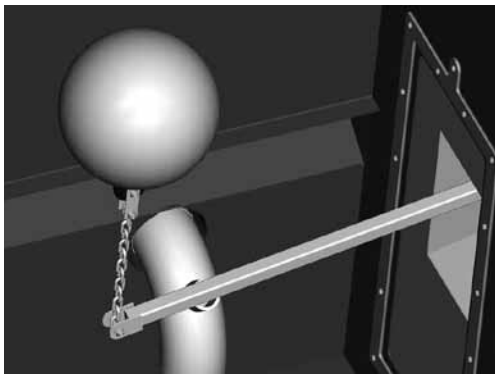
Can be broke down into sections and transported in 1 40ft and 1 20ft container

Walkway and steps for ease of maintenance

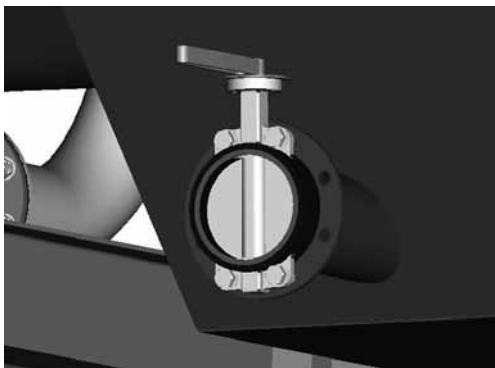
Collapsible easy build chassis



Walkway and steps for ease of maintenance



Float system for self regulation of tank water level



Integrated tank drains for ease of maintenance

## MOBILE CHASSIS

Self regulating cyclone tank

Build in anti-turbulence sections

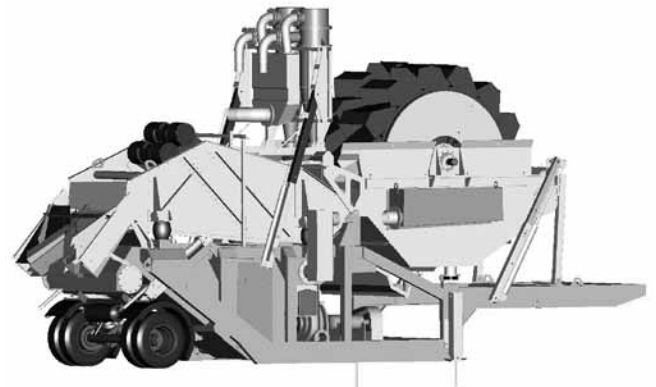
Heavy duty steel construction

Easy access to serviceable areas

Fifth wheel

Hydraulically raised axle, bucket tank and cyclone frame to allow for easy and quick set-up and transport

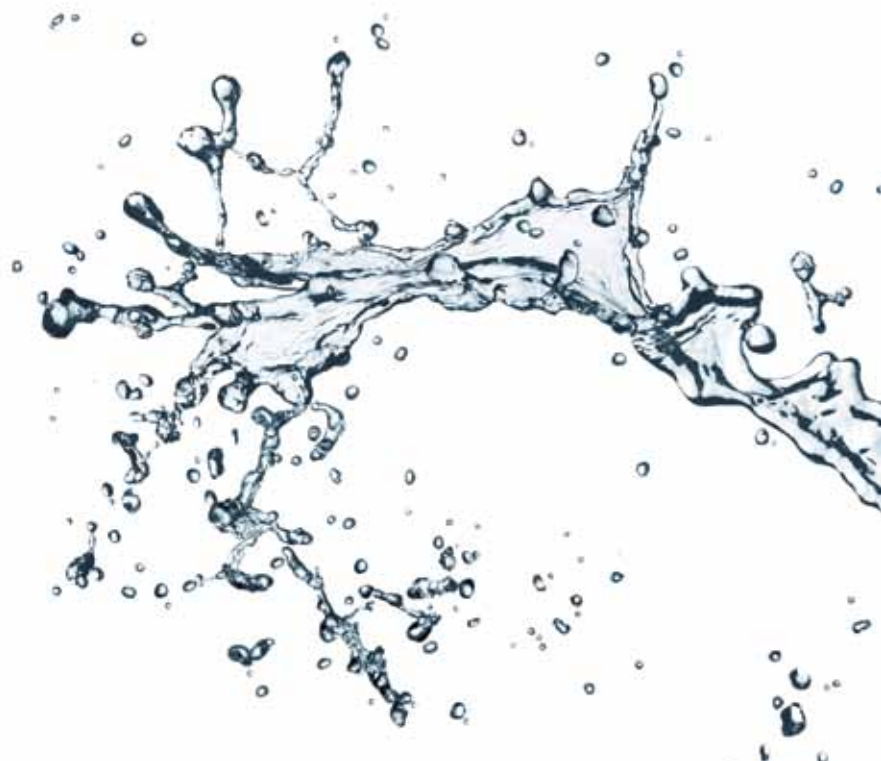
Twin wheel single braking axle



Mobile unit option

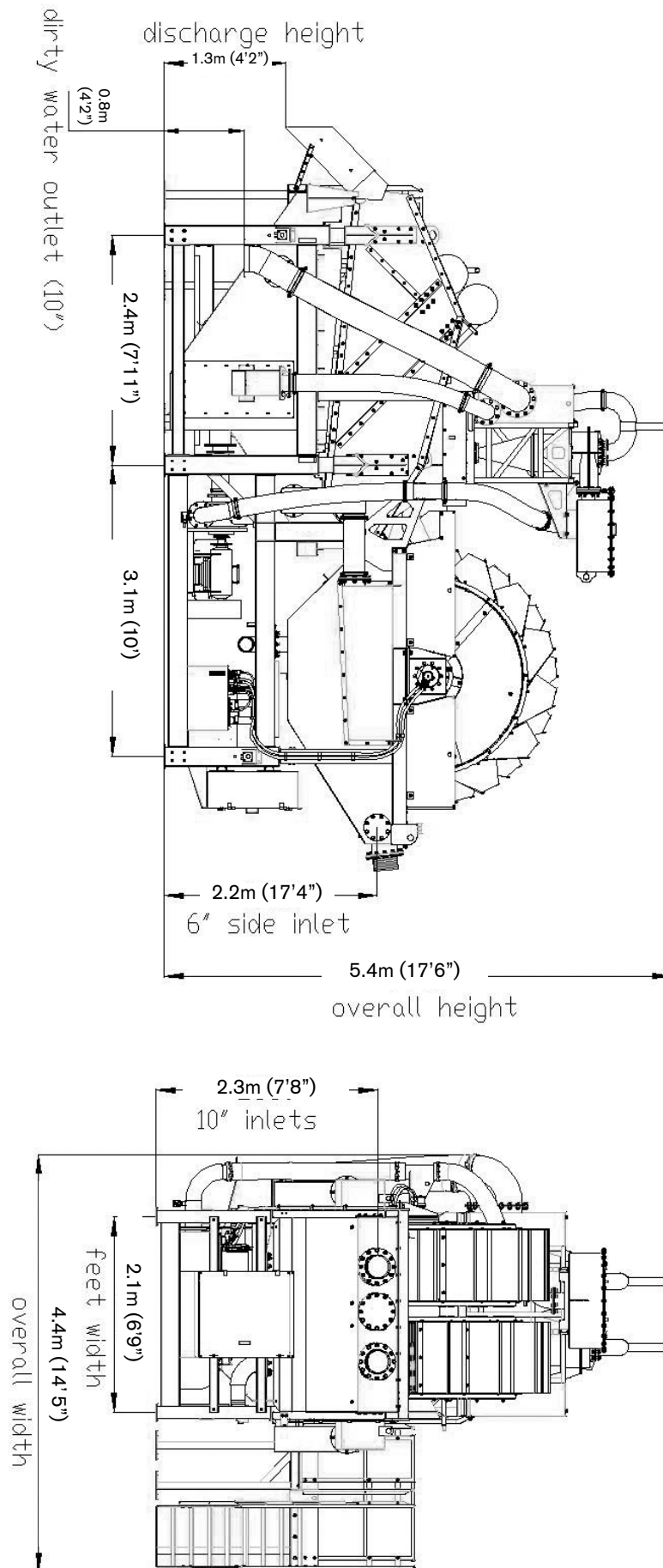
## OPTIONS

- Double grade product
- Bolt on boiler box
- Control panel
- Mobile chassis with single braking axle and suspension
- Dewatering screen spraybars
- Lighting board on mobile chassis
- Adjustable blending chute

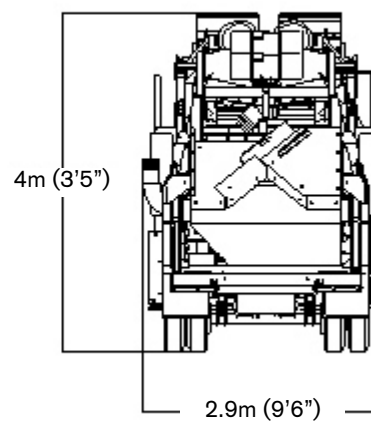
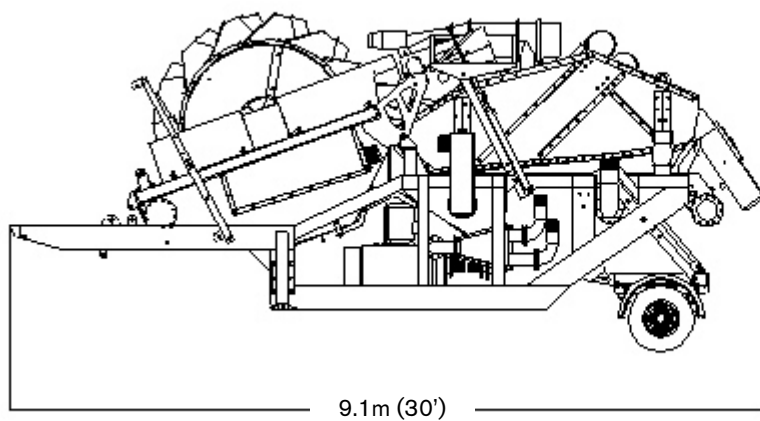
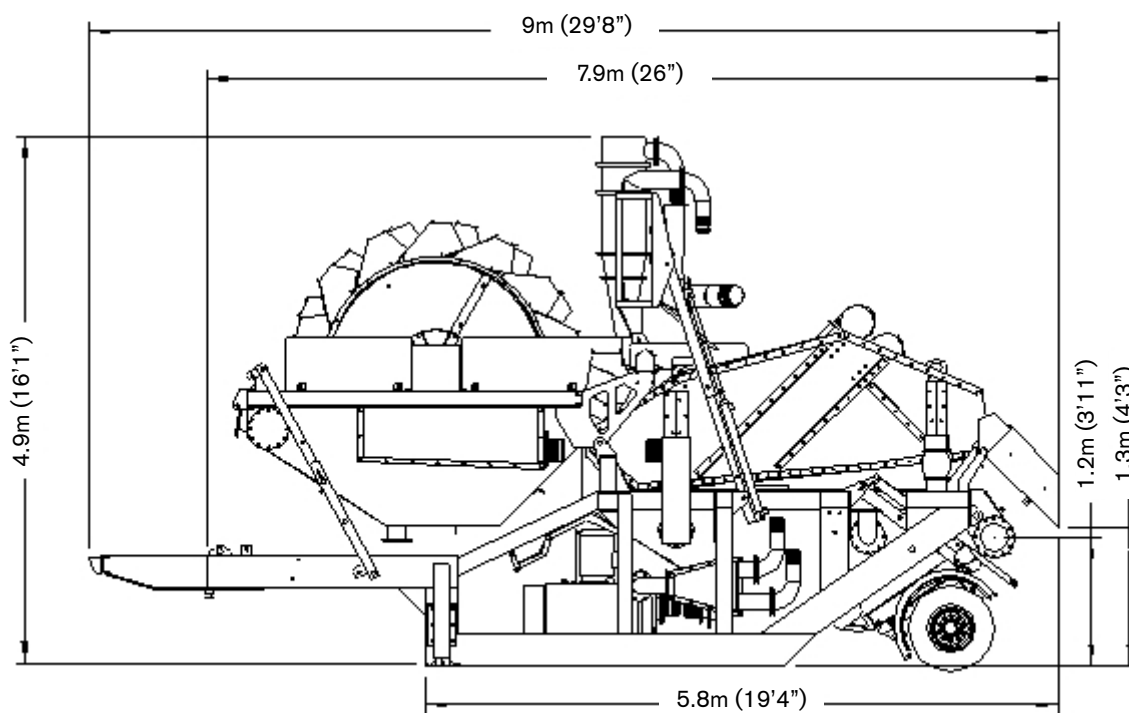
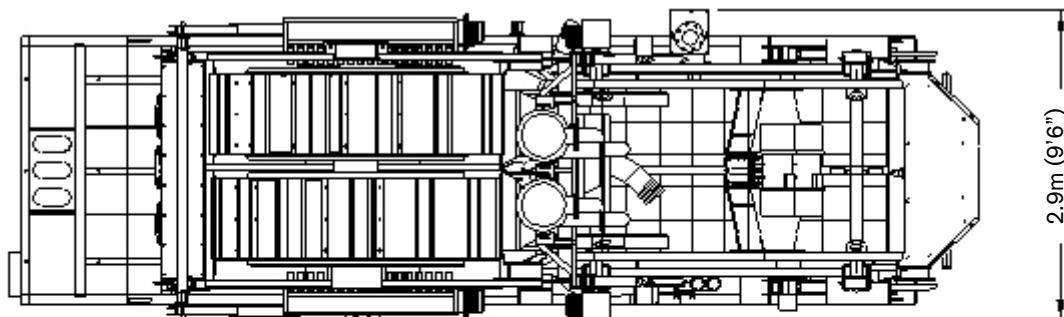


# DIMENSIONS

## FM 120 BW – WORKING DIMENSIONS



# FM 120 BW – TRANSPORT DIMENSIONS



## TEREX WASHING SYSTEMS CONTACT DETAILS

### Dungannon Site

200 Coalisland Road  
Dungannon  
Co. Tyrone  
Northern Ireland  
BT71 4DR

Tel: +44(0) 28 8771 8500

Email: [TWS.sales@terex.com](mailto:TWS.sales@terex.com)

[www.terex.com/washing](http://www.terex.com/washing)

YouTube

Check out Terex Washing Systems videos  
on YouTube: [www.youtube.com/terexwashingsystems](http://www.youtube.com/terexwashingsystems)

f

[www.facebook.com/TerexCorporation](http://www.facebook.com/TerexCorporation)



Effective Date: July 2012 Product specifications and prices are subject to change without notice or obligation. The photographs and/or drawings in this document are for illustrative purposes only. Refer to the appropriate Operator's Manual for instructions on the proper use of this equipment. Failure to follow the appropriate Operator's Manual when using our equipment or to otherwise act irresponsibly may result in serious injury or death. The only warranty applicable to our equipment is the standard written warranty applicable to the particular product and sale and Terex makes no other warranty, express or implied. Products and services listed may be trademarks, service marks, or trade names of Terex Corporation and/or its subsidiaries in the USA and other countries. All rights are reserved. Terex is a registered trademark of Terex Corporation in the USA and many other countries. © 2010 Terex Corporation.



**WORKS FOR YOU.™**